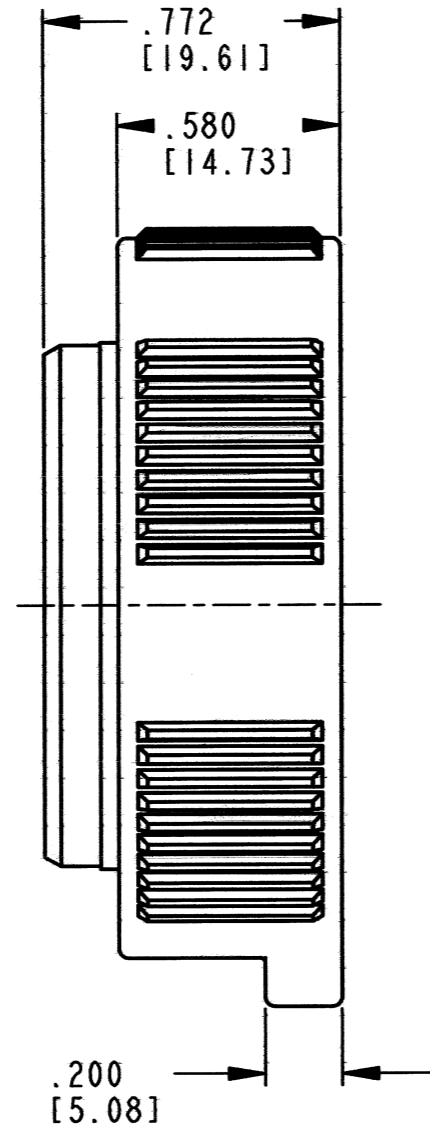
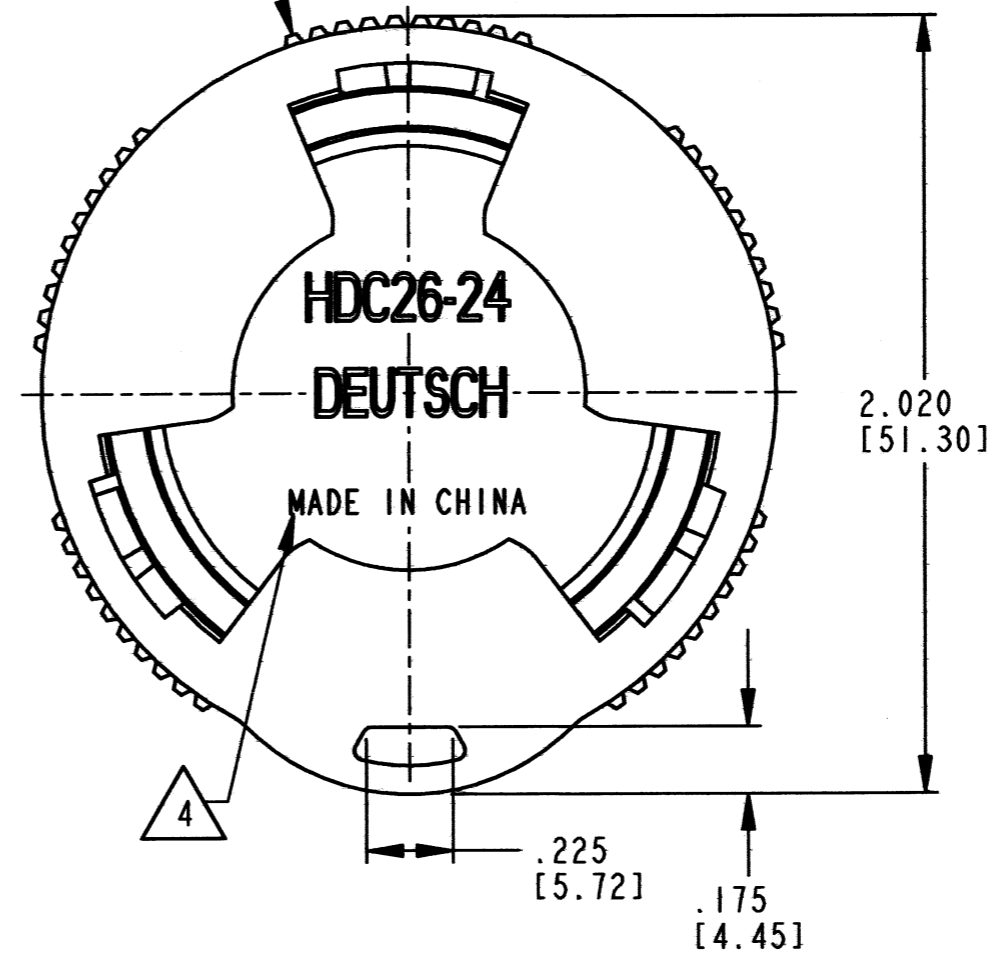




3D VIEW



Ø 1.960 ± .010
[49.78 ± .25]
OVER KNURL



REV B HDC26-24

REVISIONS			
SYM	DESCRIPTION	DATE	APPROVED
NC	NEW RELEASE PER E.O. A14800	5-15-95	R.D.R.
A	REDESIGNED/REDRAWN PER E.O. P21082	11-8-11	R.D.R.
B	REVISED PER E.O. P21505	11/14/12	DM

4. COUNTRY OF ORIGIN IF OTHER THAN USA.
EXAMPLE: MADE IN CHINA

3. MATERIAL: PLASTIC; COLOR: BLACK

2. DIMENSION TOLERANCE: ±.025 [0.63].


1. ALL DIMENSIONS ARE IN INCHES [mm].

NOTES:

SIGNATURE & DATE	
DR	V. GRANTCHAROVA 6/1/11
CHK	[Signature] 11/13/12
PE	[Signature] 11/13/12
APPD	[Signature] 11/14/12
SCALE	NONE
WT	

PROTECTIVE CAP
FOR SIZE 24
RECEPTACLES
HD SERIES

ENVELOPE

EP	MATL. CODE
 3850 INDUSTRIAL AVE. HEMET, CA 92545 DEUTSCH INDUSTRIAL	
B	HDC26-24
DWG SIZE	CODE 11139 SHEET OF

